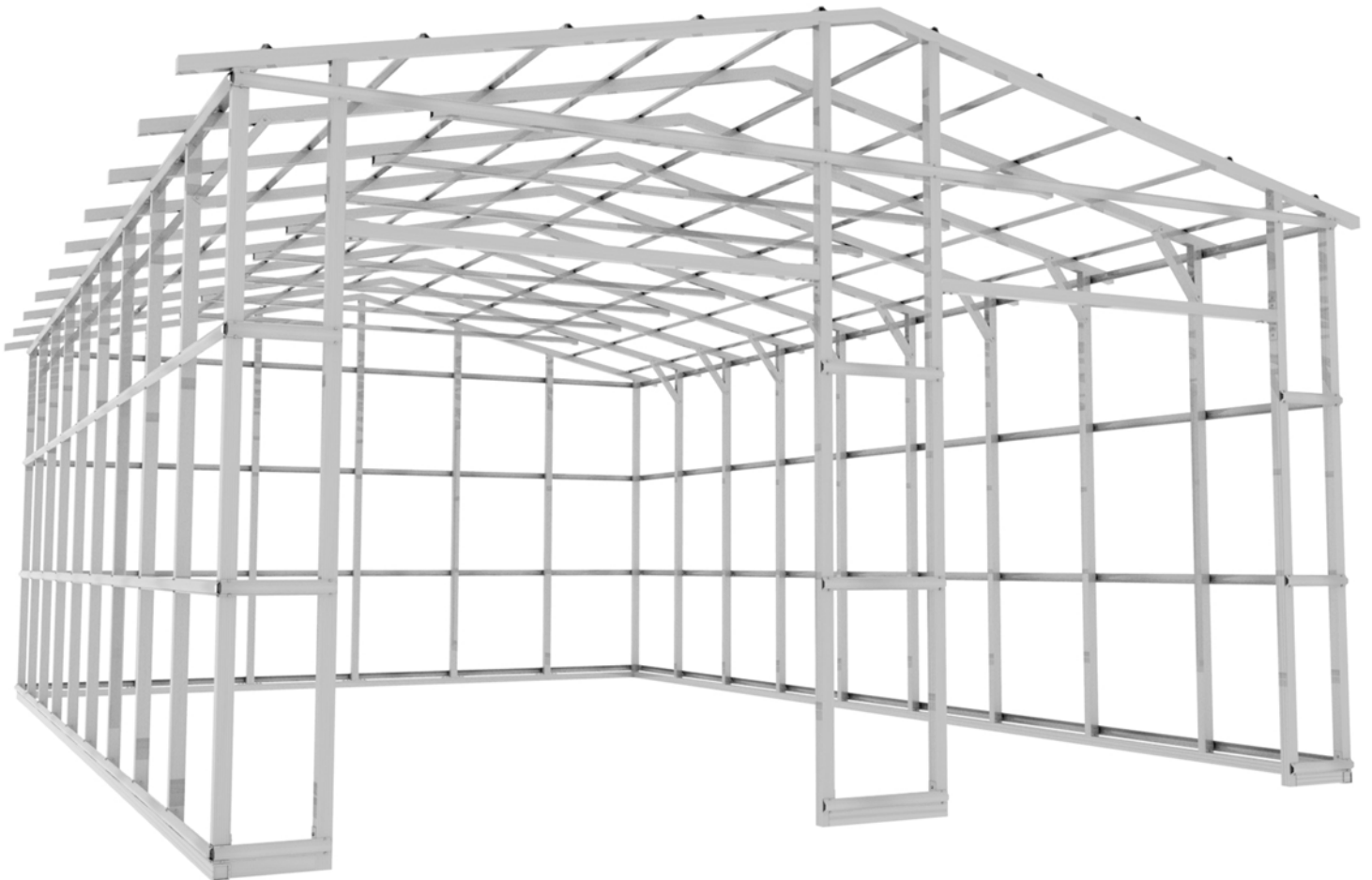




# VERTICAL ROOF INSTALLATION GUIDE

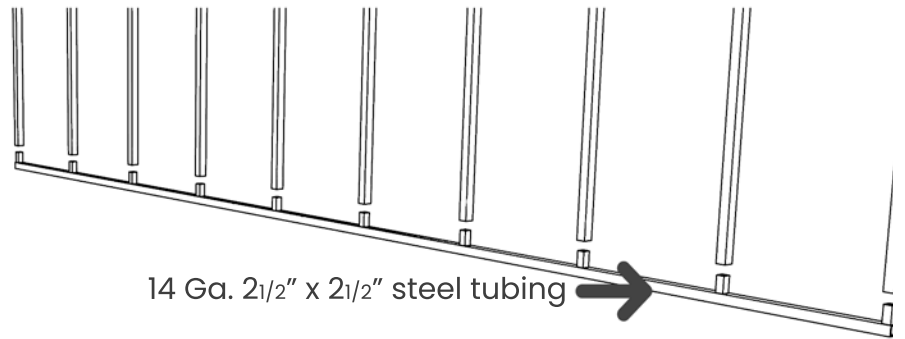
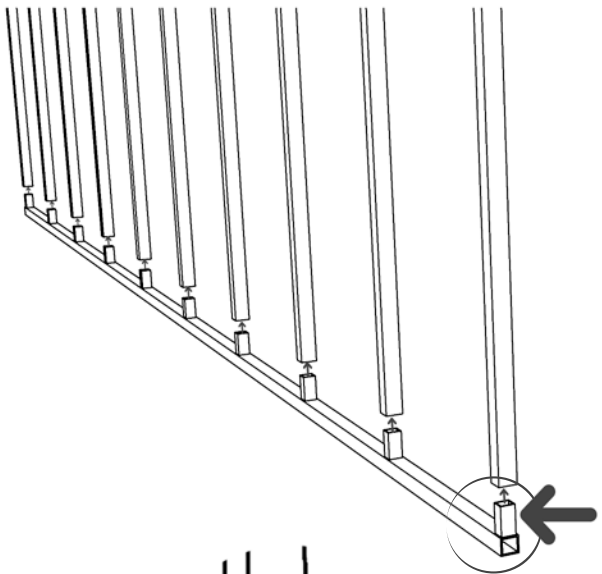
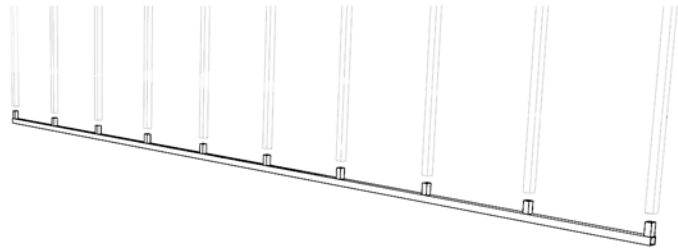
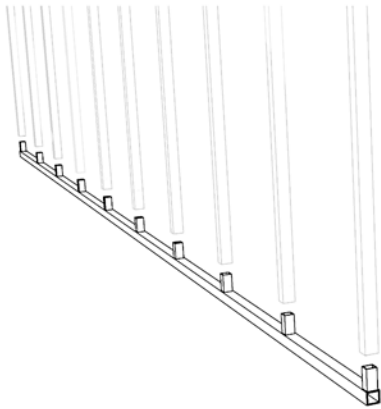
## 24'x30'x8'

Preview Document

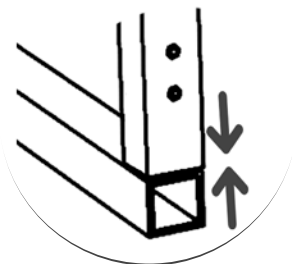


Please call with questions or for quotes. 1-866-365-3175

## Ground Baserails

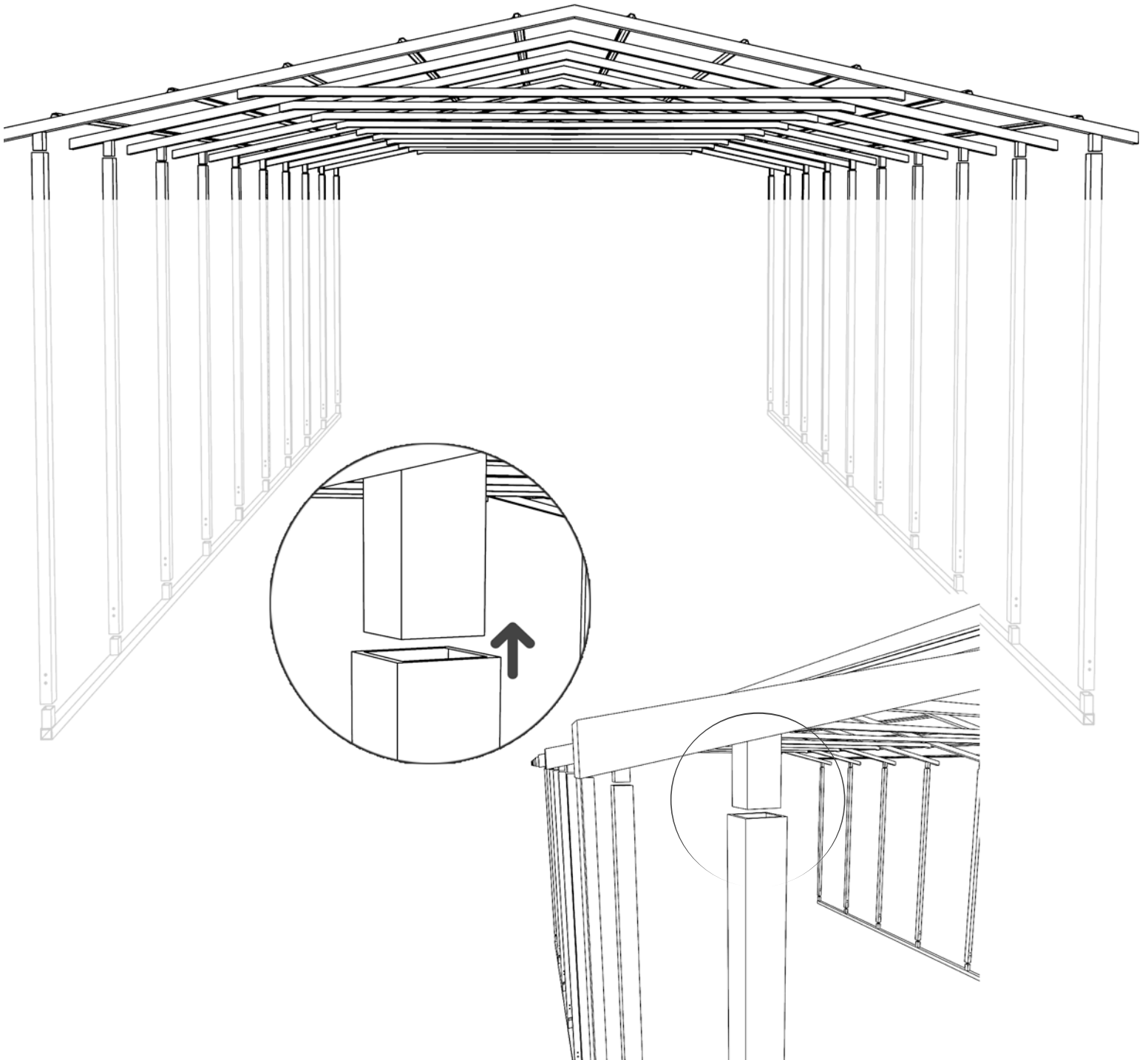


14 Ga. 2 1/4" x 2 1/4" welded sleeve

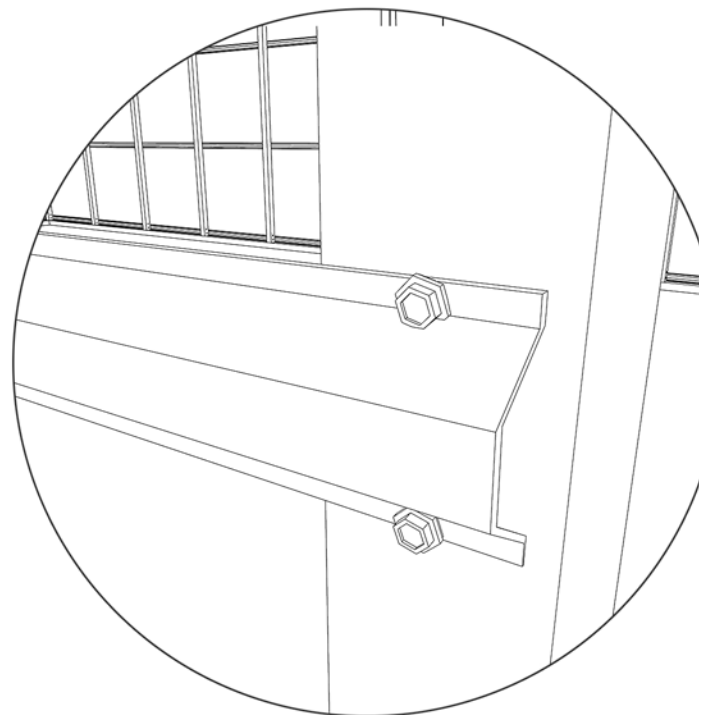
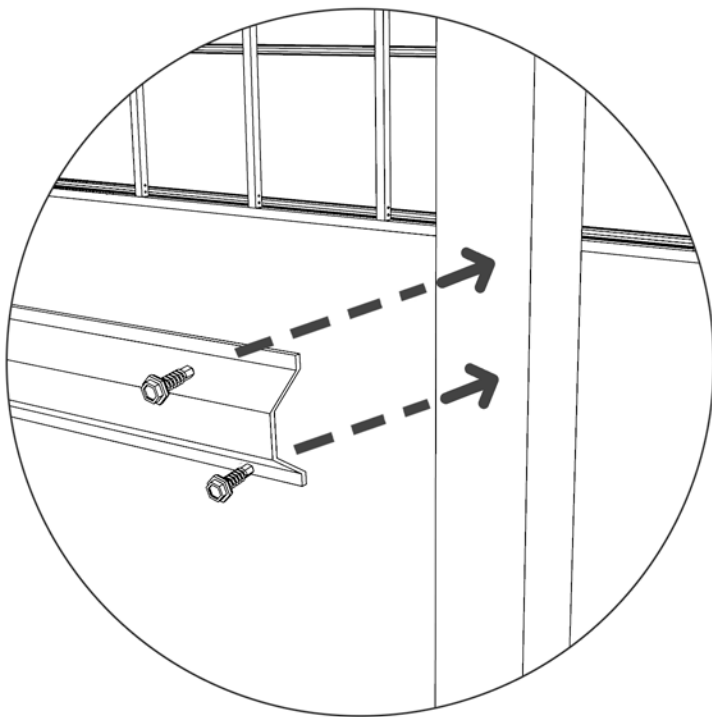
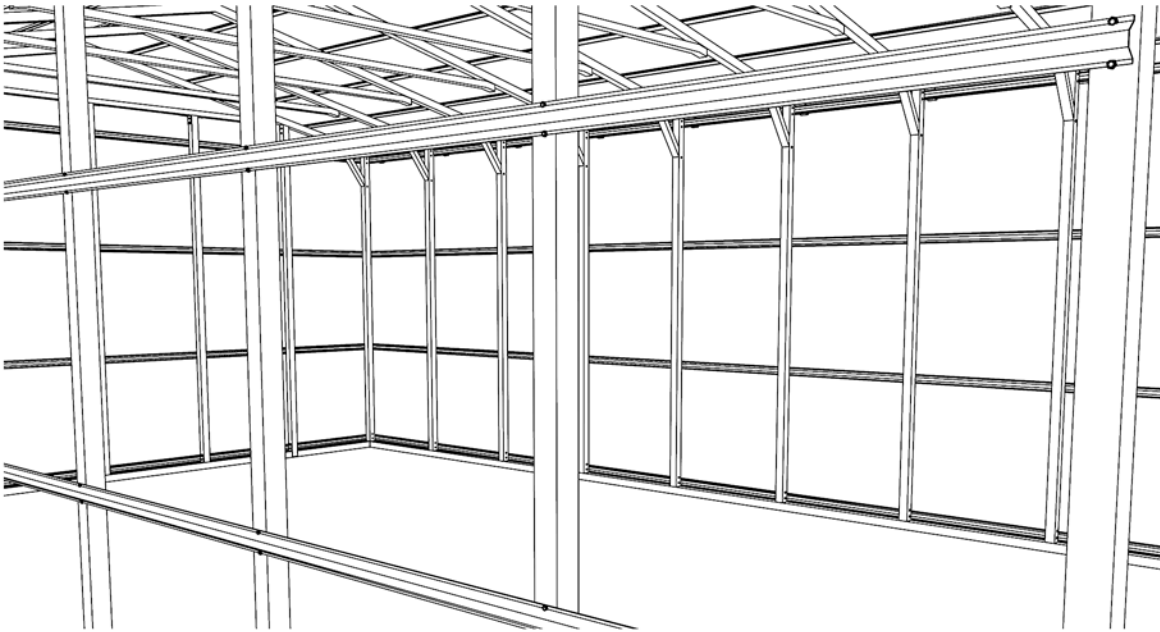


14 Ga. = 14 Gauge Galvanized Steel Tubing

## Stud and truss connection

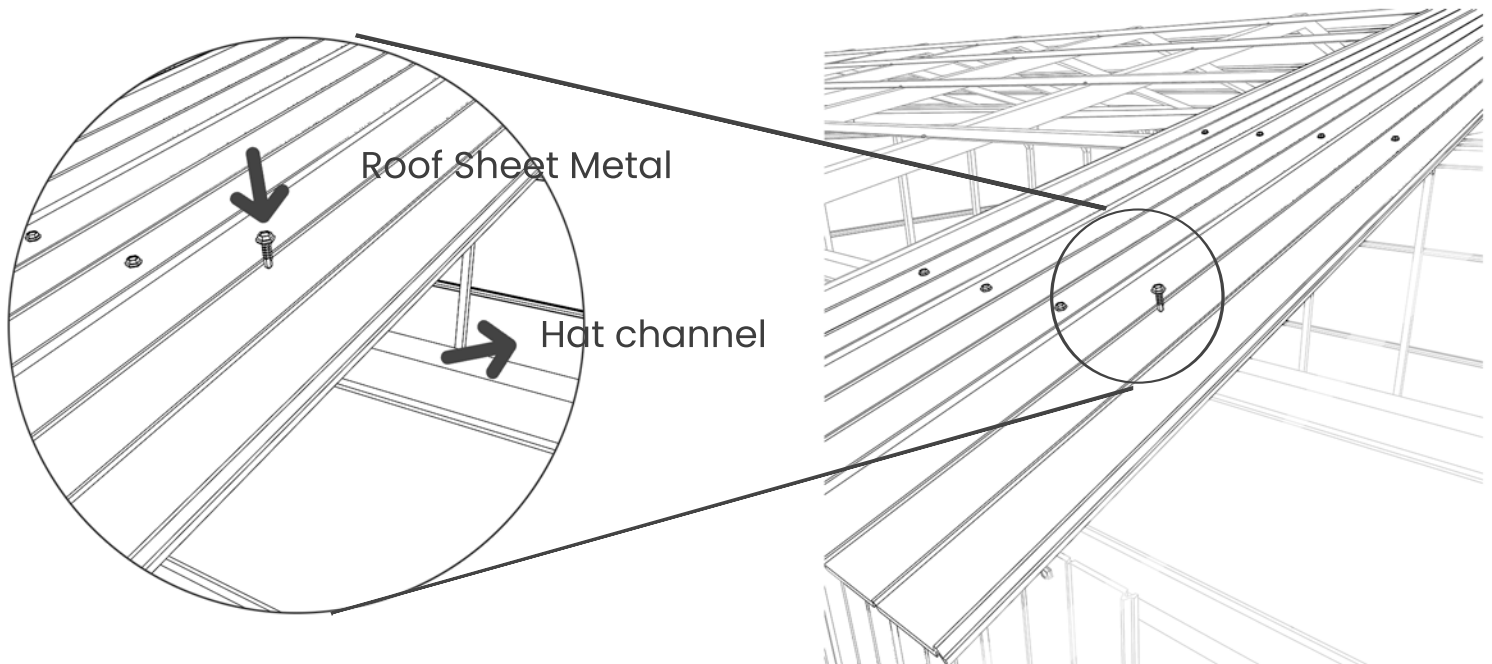
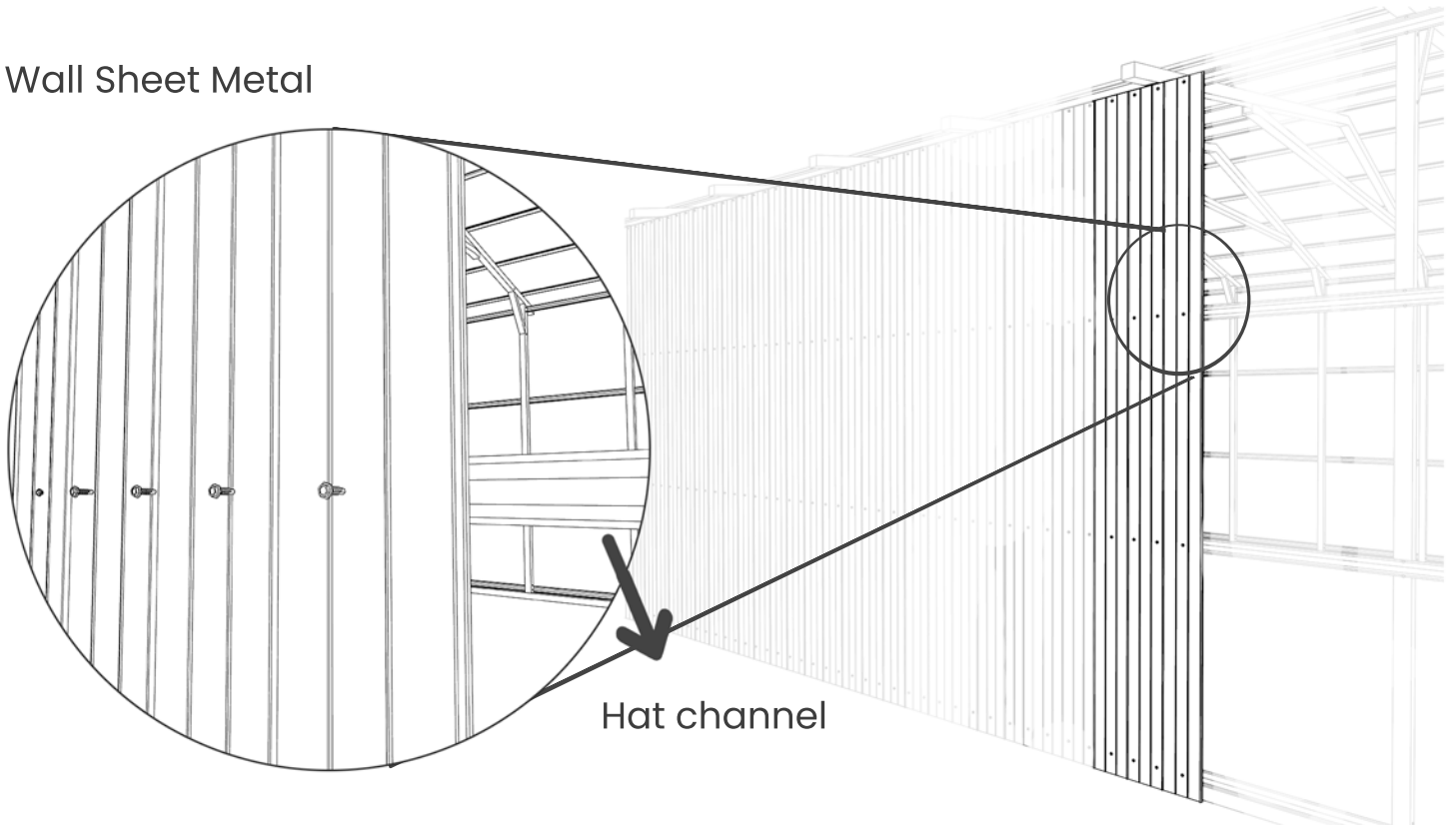


## Hat Channel connection

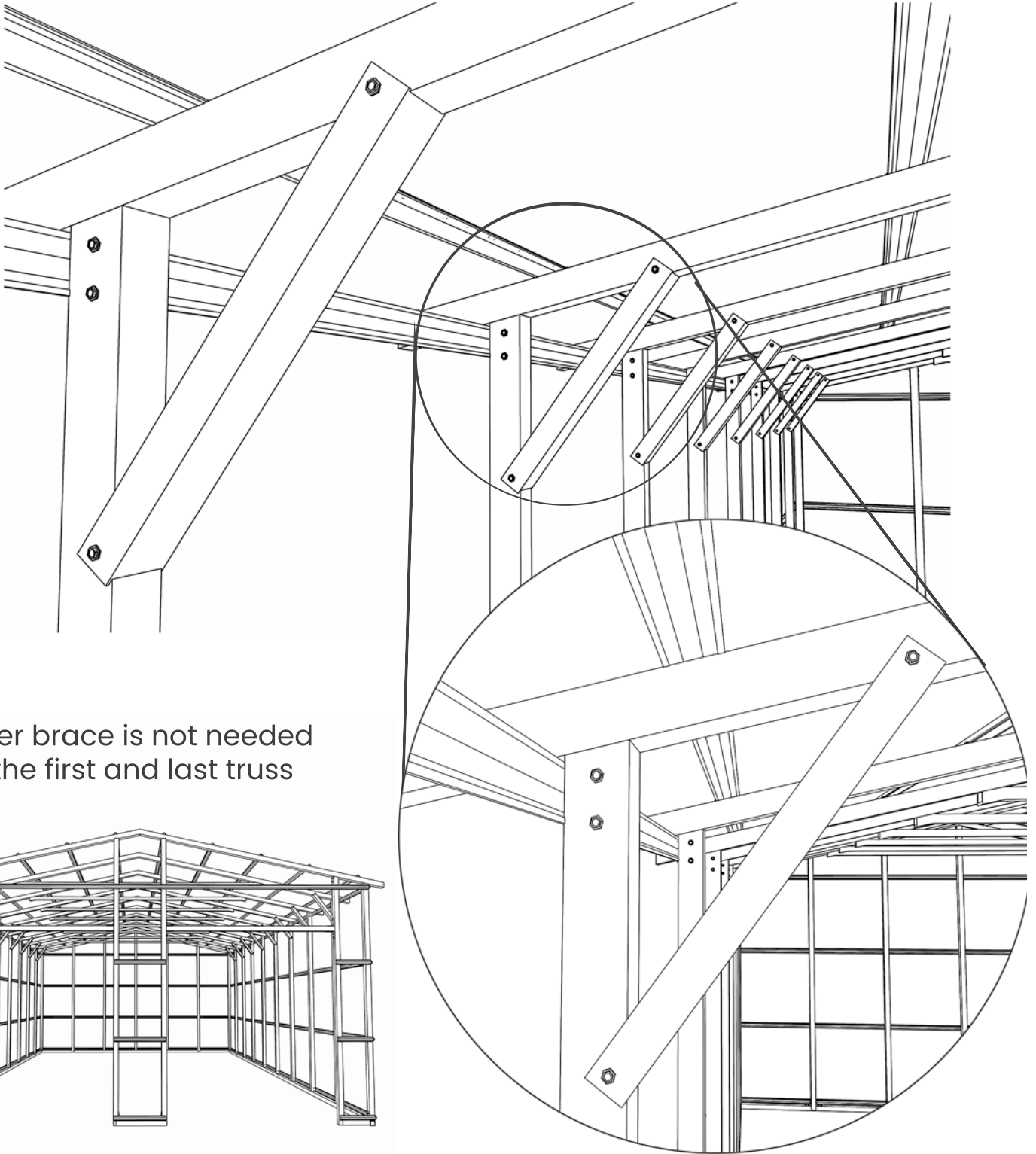


## Sheet Metal connection

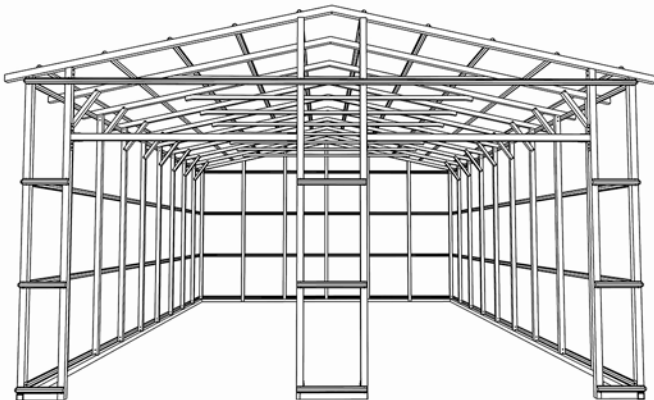
Wall Sheet Metal



## Corner Brace Connection



Corner brace is not needed  
on the first and last truss



## Final structure

Frame Work summary

